

DC CORELESS MOTOR

0411RN

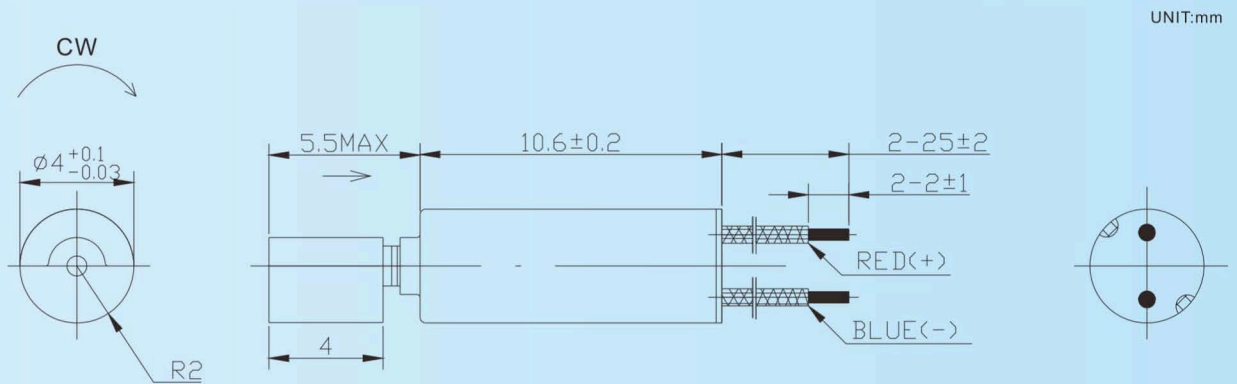
Precious metal commutation

Applications: Wearable device, mobile phones, tablet PC, health care equipment, etc.

Characteristics

			-21-30
1	Voltage	V	3
2	Terminal resistance	Ω	45
3	Speed	rpm	12500
4	Current	mA	55
5	Starting voltage	V	1.4
6	Stall current	mA	80
7	Weight	g	0.8
8	Operating temperature range	$^{\circ}\text{C}$	-10~+50

Outline Drawing



0411RN-21-30-25A1A-3.0

Options

- Lead wires length
- Shaft length
- Eccentric weight
- Silicone sets