

# 0510RN

## Precious metal commutation

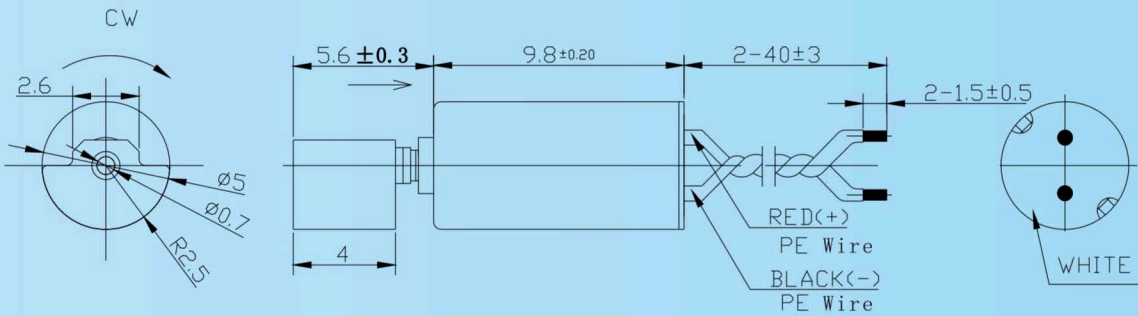
Applications: Wearable device, mobile phones, tablet PC, health care equipment, etc.

### Characteristics

			-4-5	
1	Voltage	V	3	
2	Terminal resistance	$\Omega$	17	
3	Speed	rpm	13000	
4	Current	mA	130	
5	Starting voltage	V	0.8	
6	Stall current	mA	190	
7	Weight	g	0.8	
8	Operating temperature range	$^{\circ}\text{C}$	-10~+65	

### Outline Drawing

UNIT:mm



0510RN-4-5M-40NL4

### Options

- Lead wires length
- Shaft length
- Eccentric weight
- Silicone sets