

0612RN

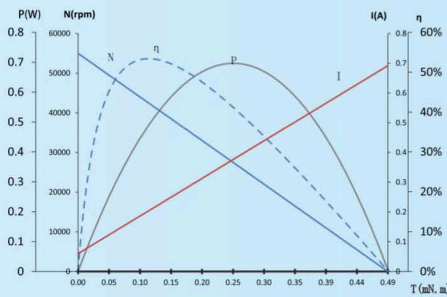
Precious metal commutation

Applications: Mini UAV, remote control toys, aerocrafts, mini household appliances and so on.

Characteristics

			-8-4.5	-90-3.0
1	Voltage	V	4.5	3.0
2	Terminal resistance	Ω	6.50	39.00
3	No-load speed	rpm	55000	16030
4	No-load current	mA	60	8
5	Stall torque	mNm	0.49	0.12
6	Stall current	mA	692	77
7	Load torque	mNm	0.05	0.05
8	Load speed	rpm	49430	9520
9	Load current	mA	124	36
10	Max. output power	W	0.71	0.05
11	Max. efficiency	%	54.57	51.28
12	Back-EMF constant	mV/rpm	0.07	0.17
13	Torque constant	mNm/A	0.71	1.60
14	Speed/torque gradient	rpm/mNm	111330	130140
15	Rotor inertia	gcm ²	0.014	0.014
16	Weight	g	1.3	1.3
17	Operating temperature range	°C	-20~+85	-20~+60

Characteristics Curve

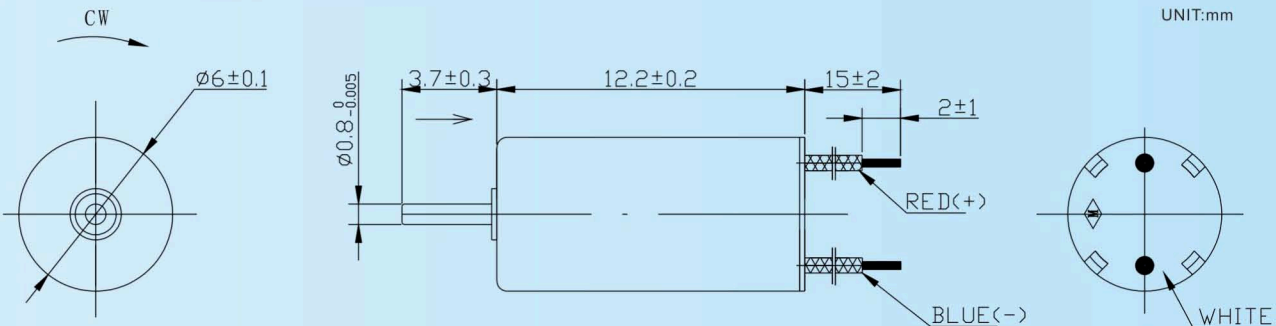


Model 1 : 0612RN01-8-15A11-4.5

Options

- Lead wires length
- Shaft length
- Special coils
- Gearheads

Outline Drawing



UNIT:mm