

0614RN53

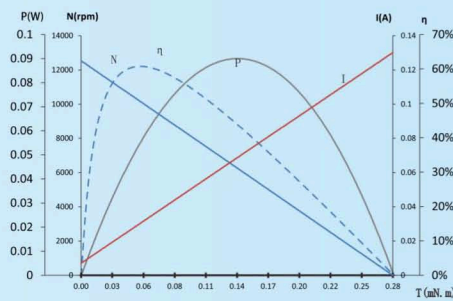
Precious metal commutation

Applications: Mini UAV, remote control toys, aerocrafts, mini household appliances and so on.

Characteristics

			-44-3.0	-6-3.4(A)	-28-3.4(B)	-60-3.4(B)	-67-3.4(A)	-77-3.4(B)
1	Voltage	V	3.0	3.4	3.4	3.4	3.4	3.4
2	Terminal resistance	Ω	23.10	3.70	2.60	2.95	1.70	1.85
3	No-load speed	rpm	12540	33280	40850	36400	53500	50000
4	No-load current	mA	7.4	37	50	40	75	60
5	Stall torque	mNm	0.28	0.86	1.00	0.99	1.17	1.15
6	Stall current	mA	130	919	1308	1153	2000	1838
7	Load torque	mNm	0.05	0.1	0.1	0.1	0.1	0.1
8	Load speed	rpm	10300	29410	36760	32730	48920	45670
9	Load current	mA	29	140	176	152	240	214
10	Max. output power	W	0.09	0.75	1.07	0.95	1.64	1.51
11	Max. efficiency	%	61.52	66.64	67.36	68.66	67.62	69.46
12	Back-EMF constant	mV/rpm	0.23	0.10	0.08	0.09	0.06	0.07
13	Torque constant	mNm/A	2.15	0.94	0.76	0.86	0.58	0.63
14	Speed/torque gradient	rpm/mNm	44820	38680	40866	36681	45796	43311
15	Rotor inertia	gcm ²	0.016	0.016	0.016	0.016	0.016	0.016
16	Weight	g	1.7	1.7	1.7	1.7	1.7	1.7
17	Operating temperature range	°C	-20~+55	-20~+85	-20~+60	-20~+60	-20~+85	-20~+85

Characteristics Curve

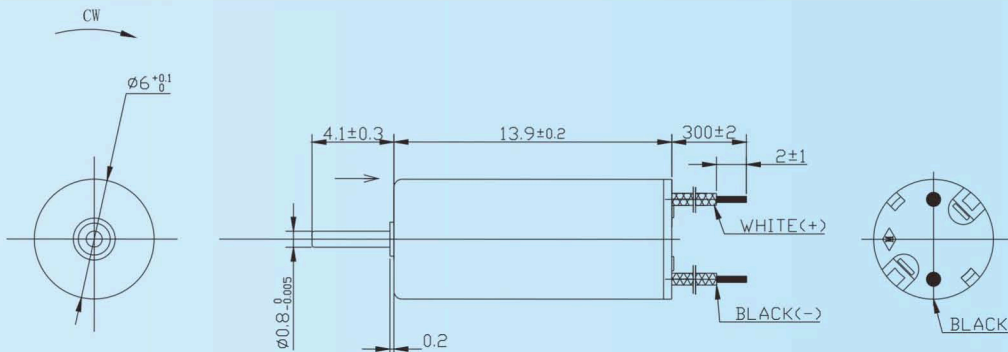


Model : 0614RN53C-44-300J2B-3.0

Options

- Lead wires length
- Shaft length
- Special coils
- Gearheads

Outline Drawing



UNIT:mm