

0615RN

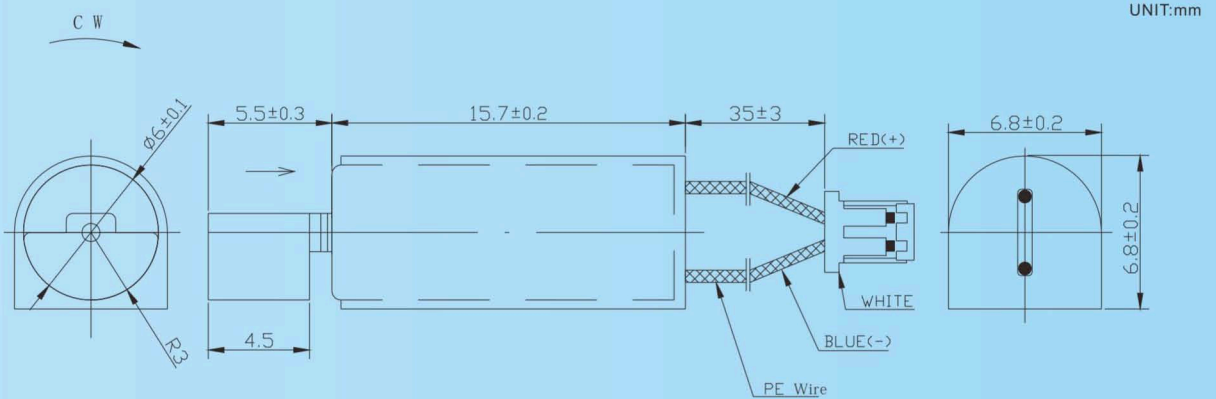
Precious metal commutation

Applications: Wearable device, mobile phones, tablet PC, health care equipment, etc.

Characteristics

			-5-20	-5-47H	-5-2H
1	Voltage	V	3	3	1.5
2	Terminal resistance	Ω	29	20	6.7
3	Speed	rpm	10500	11200	10500
4	Current	mA	40	45	100
5	Starting voltage	V	0.6	0.6	0.6
6	Stall current	mA	100	150	210
7	Weight	g	3	3.35	3.2
8	Operating temperature range	$^{\circ}\text{C}$	-10~+55	-10~+65	-10~+55

Outline Drawing



0615RN-5-20TJ5M-35N

Options

- Lead wires length
- Shaft length
- Eccentric weight
- Silicone sets