

1012F43

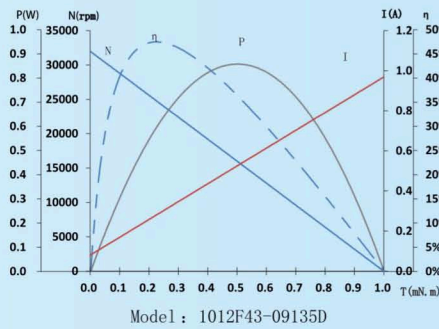
Precious metal commutation

Applications: Security equipment, mini electronic products, remote control aerocrafts, personal caring products, portable tools and so on.

Characteristics

			09135DM6
1	Voltage	V	4.5
2	Terminal resistance	Ω	3.7
3	No-load speed	rpm	32000
4	No-load current	mA	80
5	Stall torque	mNm	1.00
6	Stall current	mA	960
7	Load torque	mNm	0.29
8	Load speed	rpm	23000
9	Load current	mA	330
10	Max. output power	W	0.84
11	Max. efficiency	%	46.8
12	Back-EMF constant	mV/rpm	0.13
13	Torque constant	mNm/A	1.14
14	Speed/torque gradient	rpm/mNm	32000
15	Varistor	Yes/No	Yes
16	Weight	g	3.15
17	Operating temperature range	$^{\circ}\text{C}$	-20~+80

Characteristics Curve

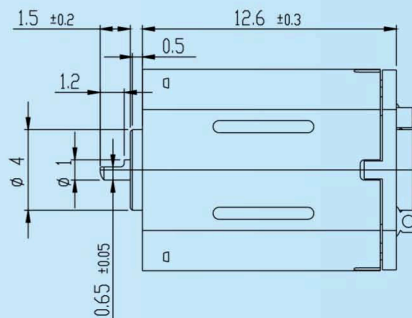
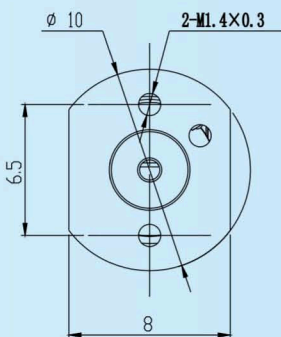


Options

- Lead wires length
- Shaft length
- Special coils
- Gearheads

Outline Drawing

ROTATION : CW



UNIT:mm

