

1020RFN/1027RFN/1030RFN/1034RFN

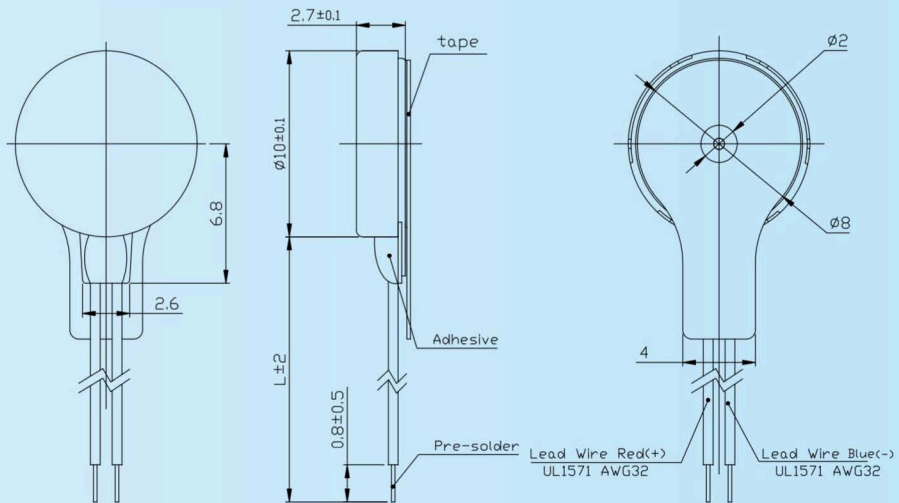
Precious metal commutation

Applications: Wearable device, mobile phone, tablet PC, health care equipment, etc.

Characteristics

			1020RFN31-17d	1027RFN31-17d	1030RFN31-17d	1034RFN31-17d
1	Voltage	V	3	3	3	3
2	Terminal resistance	Ω	30/58	35/66	38/71	32/63
3	Speed	rpm	13500	13500	13500	13500
4	Current	mA	60	55	55	70
5	Starting voltage	V	2.3	2.3	2.3	2.3
6	Stall current	mA	95	90	80	95
7	Operating temperature range	$^{\circ}\text{C}$	-20~+70	-20~+70	-20~+70	-20~+70

Outline Drawing



UNIT:mm

1027RFN31-17d3WG

Options

- Lead wires
- Rubber pad