

1234RFN

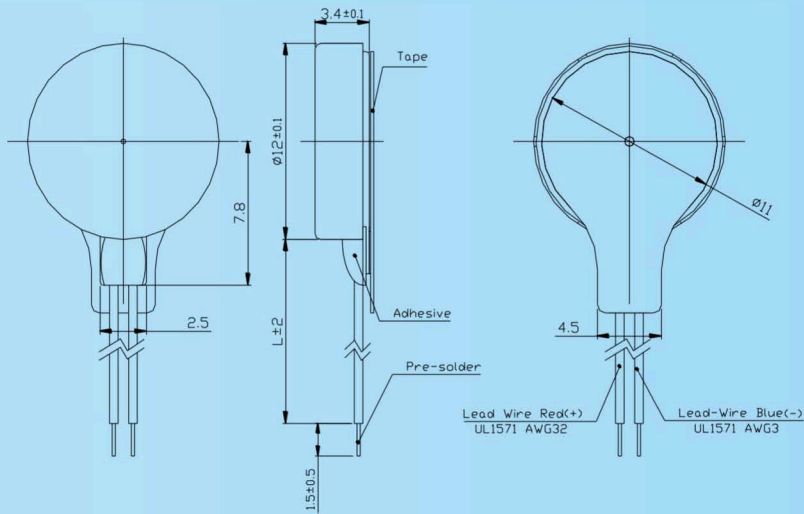
Precious metal commutation

Applications: Interphone, gamepad, wearable device, tablet PC, health care equipment, etc.

Characteristics

		1234RFN31-110d	
1	Voltage	V	3
2	Terminal resistance	Ω	32/59
3	Speed	rpm	11000
4	Current	mA	60
5	Starting voltage	V	1.7
6	Stall current	mA	90
7	Operating temperature range	$^{\circ}\text{C}$	-20 ~ +70

Outline Drawing



1234RFN31-110dWG

Options

- Lead wires
- Rubber pad