

1718RN

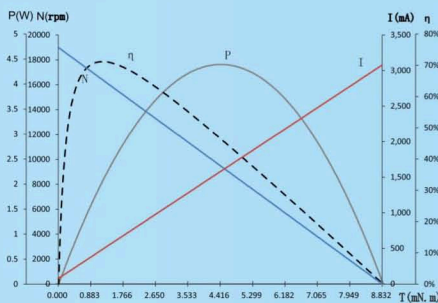
Precious metal commutation

Applications: Mini UAV, remote control toys, aerocrafts, mini household appliances and so on.

Characteristics

			-6-6.0	-57-5.5	-70-5.0
1	Voltage	V	6.0	5.5	5.0
2	Terminal resistance	Ω	2.0	1.7	1.2
3	No-load speed	rpm	19000	15800	17500
4	No-load current	mA	75	60	70
5	Stall torque	mNm	8.8	10.6	11.2
6	Stall current	mA	3000	3235	4167
7	Load torque	mNm	2.0	2.5	2.5
8	Load speed	rpm	14690	12060	13590
9	Load current	mA	740	810	990
10	Max. output power	W	4.4	4.4	5.1
11	Max. efficiency	%	73	76	77
12	Back-EMF constant	mV/rpm	0.3	0.3	0.3
13	Torque constant	mNm/A	2.9	3.3	2.7
14	Speed/torque gradient	rpm/mNm	2150	1500	1570
15	Rotor inertia	gcm ²	0.8	0.8	0.8
16	Weight	g	19.3	19.3	19.3
17	Operating temperature range	°C	-20~+85	-20~+85	-20~+85

Characteristics Curve

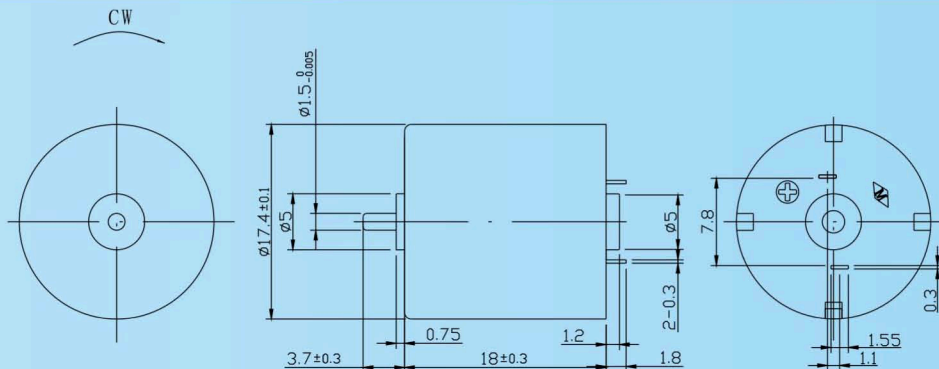


Model : 1718RN55-6L25-6.0

Options

- Lead wires length
- Shaft length
- Special coils
- Gearheads

Outline Drawing



UNIT:mm