

2007RFN

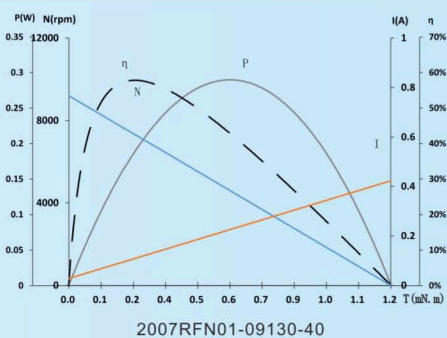
Precious metal commutation

Applications: Mini electronic products, toys and so on.

Characteristics

			2007RFN01-09130-40	2007RFN52-14094-40
1	Voltage	V	3	3
2	Terminal resistance	Ω	7.1	1.6
3	No-load speed	rpm	9200	19000
4	No-load current	mA	28	80
5	Stall torque	mNm	1.2	3.2
6	Stall current	mA	420	1800
7	Load torque	mNm	0.3	0.3
8	Load speed	rpm	6850	17000
9	Load current	mA	130	300
10	Max. output power	W	0.29	1.6
11	Max. efficiency	%	58	81.4
12	Back-EMF constant	mV/rpm	0.30	0.15
13	Torque constant	mNm/A	3.00	1.90
14	Speed/torque gradient	rpm/mNm	7667	5938
15	Rotor inertia	gcm ²	0.40	0.40
16	Weight	g	8.7	8.7
17	Operating temperature range	$^{\circ}\text{C}$	-20 ~ +80	-20 ~ +80

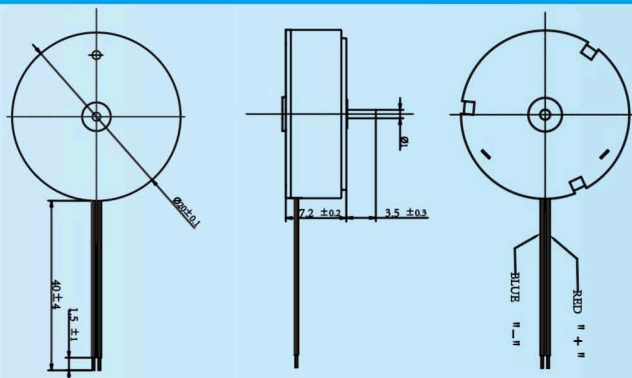
Characteristics Curve



Options

- Lead wires length
- Special coils

Outline Drawing



UNIT:mm