

2040ZWN

Inner Rotor With Sensor

Applications: Precision driving field in medical equipment, industrial automation, etc.

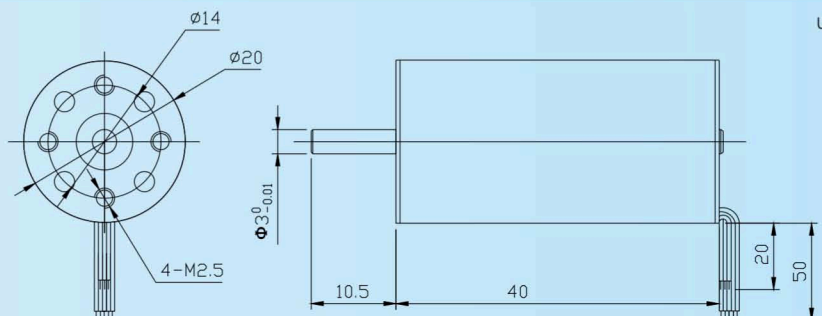
Characteristics

			-12-12.0	
1	Voltage	V	12	
2	Terminal resistance	Ω	0.93	
3	No-load speed	rpm	14500	
4	No-load current	A	0.35	
5	Stall torque	mNm	97.00	
6	Stall current	A	13.00	
7	Nominal torque	mNm	14.5	
8	Nominal speed	rpm	12000	
9	Nominal current	A	2.2	
10	Max. output power	W	37	
11	Max. efficiency	%	70	
12	Back-EMF constant	mV/rpm	0.8	
13	Torque constant	mNm/A	7.7	
14	KV Value	rpm/V	1200	
15	Speed/torque gradient	rpm/mNm	150	
16	Rotor inertia	gcm ²	2	
17	Weight	g	55	
18	Thermal resistance housing-ambient	K/W	11	
19	Thermal resistance winding-housing	K/W	12.5	
20	Thermal time constant motor	s	620	
21	Thermal time constant winding	s	4	
22	Operating temperature range	°C	-40~+100	
23	Max. winding temperature	°C	155	
24	Axial play	mm	0.012	
25	Radial play	mm	0.008	
26	Axial load dynamic	N	5	
27	Axial load static	N	80	
28	Radial load at 3 mm from mounting face	N	29	
29	No. of pole pairs		1	
30	Bearings		2 ball bearings	
31	Commutation		Hall Sensor	
32	Protection class		IP 30	

Options

- Lead wires length
- Shaft length
- Special coils
- Gearheads
- Bearing type
- Hall sensor
- Encoder
- Driver

Outline Drawing



UNIT:mm