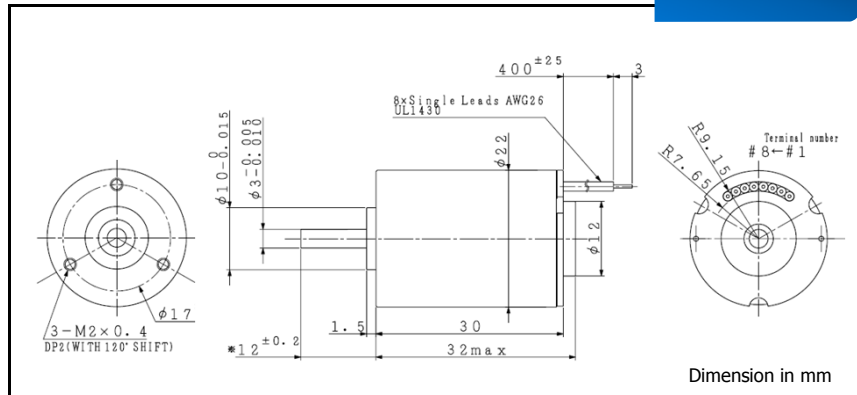


**B4S 22-32 4P magnet  $\phi 22$  , 9 mNm with Hall sensors**

**NEW R&D**



For combination with gearhead: Please contact Namiki sales team

Ordering number	B4S22-3212	
1 Nominal voltage	24.0	V
2 Rated torque	9.00	mNm
3 Rated speed	4894	rpm
4 Rated current	255	mA
5 No load speed	5540	rpm
6 No load current	34	mA
7 Stall torque	77.15	mNm
8 Stall current	1.93	A
9 Output power	11.2	W
10 Max. efficiency	75	%
11 Terminal resistance	12.42	$\Omega$
12 Friction torque	1.38	mNm
13 Back-EMF constant	4.256	mV/rpm
14 Torque constant	40.64	mNm/A
15 Slope of N-T curve	72	rpm/mNm
16 Mechanical time constant	4.00	ms
17 Rotor inertia	4.21	gcm <sup>2</sup>
18 Max. torque	22.00	mNm

Mechanical data		
19 Shaft radial play	0.015	mm
20 Shaft axial play	0.23	mm
21 Max. shaft radial load	6 (9 mm)	N
22 Max. shaft axial load	1	N
23 Max. shaft axial load at standstill	10	N

Environmental specifications		
24 Operating temperature	-20 ~ 80	°C
25 Max. coil temperature	90	°C

Other specifications		
26 Weight	72	g

Electrical connections		
#1	Coil C	Motor winding C
#2	Coil B	Motor winding B
#3	Coil A	Motor winding A
#4	Hall GND	GND
#5	Hall Vcc	Input voltage 3~26V
#6	Hall c	Hall sensor output ( c )
#7	Hall b	Hall sensor output ( b )
#8	Hall a	Hall sensor output ( a )

\*Hall sensors with pull-up resistor 10K $\Omega$  built-in

\*The characteristics are measured with our test driver.

