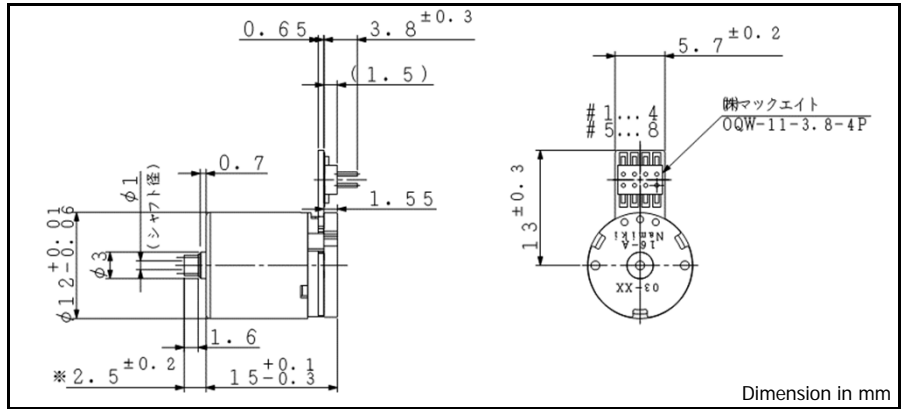
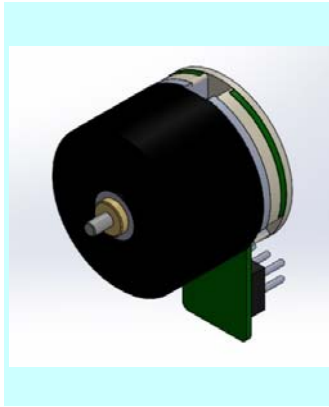


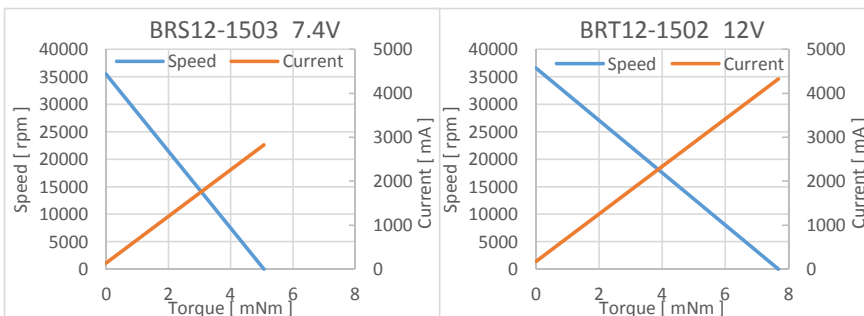
**BRS/BRT 12-15**



Ordering number	Standard	High torque	
	BRS12-1503	BRT12-1502	
1 Nominal voltage	7.4	7.4	V
2 Rated torque	0.93	1.30	mNm
3 Rated speed	28900	30400	rpm
4 Rated current	635	878	mA
5 No load speed	35500	36600	rpm
6 No load current	143	178	mA
7 Stall torque	5.07	7.68	mNm
8 Stall current	2.82	4.32	A
9 Output power	4.7	7.4	W
10 Max. efficiency	60	63	%
11 Terminal resistance	2.62	1.71	Ω
12 Friction torque	0.27	0.33	mNm
13 Back-EMF constant	0.198	0.194	mV/rpm
14 Torque constant	1.89	1.85	mNm/A
15 Slope of N-T curve	6990	4759	rpm/mNm
16 Mechanical time constant	7.40	5.21	ms
17 Rotor inertia	0.101	0.105	gcm <sup>2</sup>

Mechanical data		
18 Shaft axial play	0.03 ~ 0.3	mm
19 Shaft runout	≤0.05	mm
Environmental specifications		
20 Operating temperature	-10 ~ 50	°C
21 Max. coil temperature	80	°C
Other specifications		
22 Bearing type	Sintered sleeve metal	
23 Weight	10	g

Pin order	
#1	Hall sensor output W
#2	Hall sensor output V
#3	Hall sensor output U
#4	Vhall 3.0 V
#5	Motor winding W
#6	Motor winding V
#7	Motor winding U
#8	GND



V01