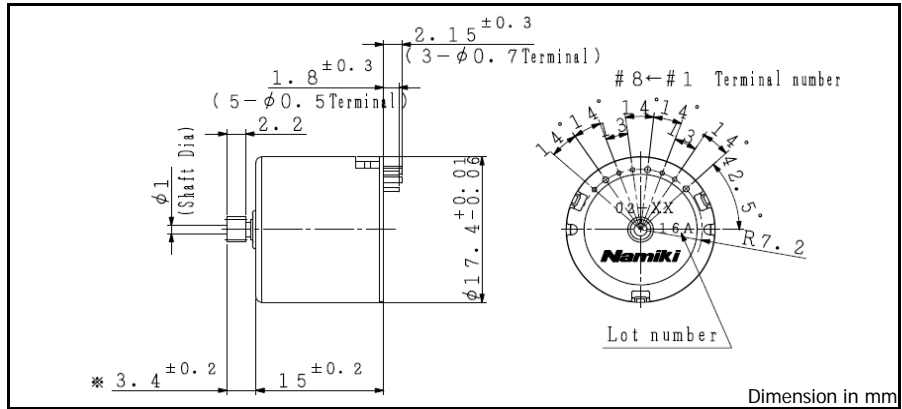


BRS/BRT 17-15



Ordering number	Standard	High torque	
	BRS17-1502	BRT17-1501	
1 Nominal voltage	7.4	7.4	V
2 Rated torque	1.94	2.80	mNm
3 Rated speed	19700	17700	rpm
4 Rated current	824	930	mA
5 No load speed	23500	20000	rpm
6 No load current	156	122	mA
7 Stall torque	12.13	24.07	mNm
8 Stall current	4.34	7.07	A
9 Output power	7.5	12.7	W
10 Max. efficiency	66	75	%
11 Terminal resistance	1.71	1.05	Ω
12 Friction torque	0.45	0.42	mNm
13 Back-EMF constant	0.304	0.363	mV/rpm
14 Torque constant	2.90	3.47	mNm/A
15 Slope of N-T curve	1936	832	rpm/mNm
16 Mechanical time constant	11.54	5.14	ms
17 Rotor inertia	0.569	0.590	gcm ²

Mechanical data

18 Shaft axial play	0.03 ~ 0.3	mm
19 Shaft runout	≤0.05	mm

Environmental specifications

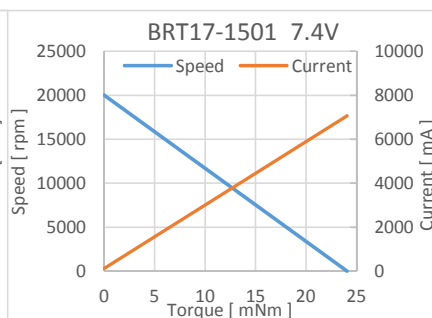
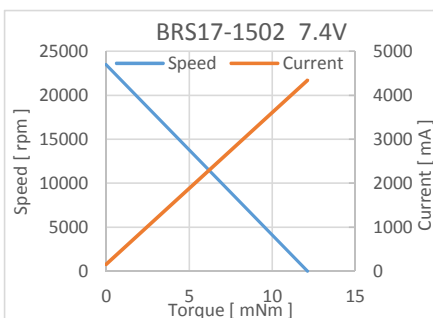
20 Operating temperature	-10 ~ 50	°C
21 Max. coil temperature	80	°C

Other specifications

22 Bearing type	Sintered sleeve metal	
23 Weight	17	g

Pin order

#1	Motor winding W
#2	Hall sensor output W
#3	Vhall 3.8~5.5V
#4	Motor winding U
#5	Hall sensor output V
#6	GND
#7	Motor winding V
#8	Hall sensor output U



V01