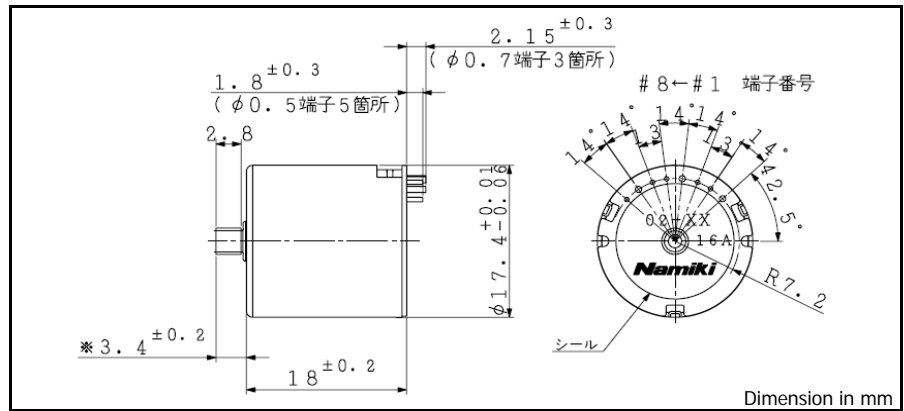
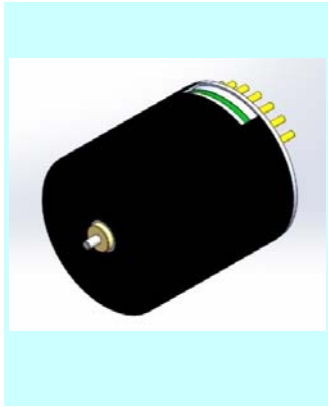


**BRS/BRT 17-18**



Ordering number	Standard	High torque	
	BRS17-1802	BRT17-18R8	
1 Nominal voltage	7.4	7.4	V
2 Rated torque	1.50	3.32	mNm
3 Rated speed	23500	21800	rpm
4 Rated current	706	1480	mA
5 No load speed	27300	25500	rpm
6 No load current	114	249	mA
7 Stall torque	10.80	23.09	mNm
8 Stall current	4.39	8.81	A
9 Output power	7.7	15.4	W
10 Max. efficiency	70	69	%
11 Terminal resistance	1.69	0.84	Ω
12 Friction torque	0.88	0.67	mNm
13 Back-EMF constant	70.409	0.282	mV/rpm
14 Torque constant	7.73	2.70	mNm/A
15 Slope of N-T curve	2523	1102	rpm/mNm
16 Mechanical time constant	8.07	10.12	ms
17 Rotor inertia	0.000	0.877	gcm <sup>2</sup>

**Mechanical data**

18 Shaft axial play	0.03 ~ 0.3	mm
19 Shaft runout	≤0.05	mm

**Environmental specifications**

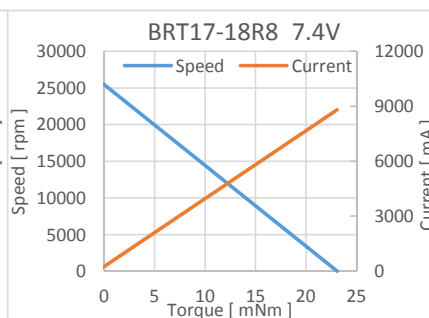
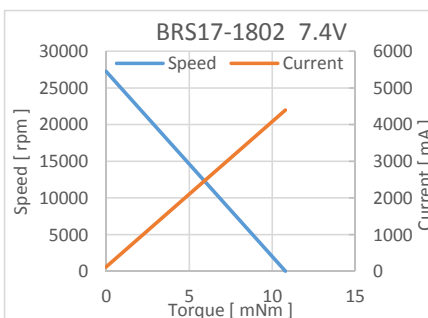
20 Operating temperature	-10 ~ 50	°C
21 Max. coil temperature	80	°C

**Other specifications**

22 Bearing type	Sintered sleeve metal
23 Weight	22 g

**Pin order**

#1	Motor winding W
#2	Hall sensor output W
#3	Vhall 3.8~5.5V
#4	Motor winding U
#5	Hall sensor output V
#6	GND
#7	Motor winding V
#8	Hall sensor output U



V01