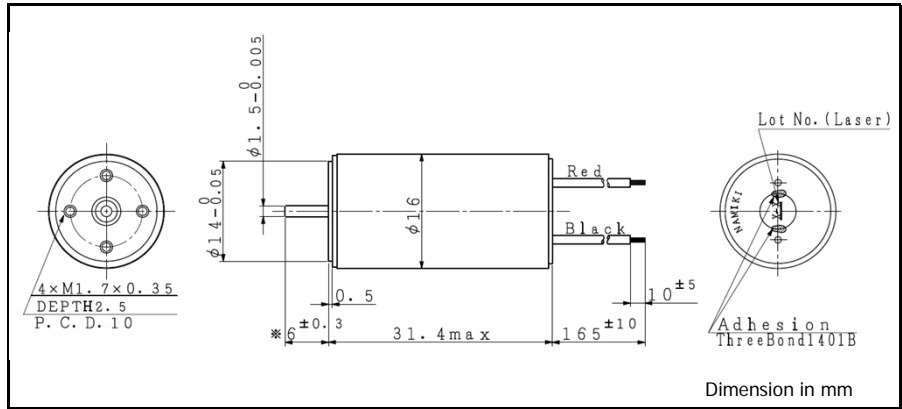
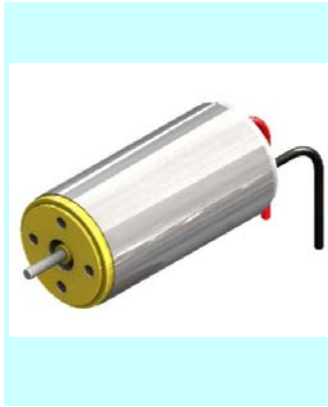


CMS 16-30 $\phi 16$, 1.25 mNm

Precious metal commutation, Sleeve bearing



For combination with gearhead: SSG15, SPG16

Ordering number	CMS16-3002	CMS16-3005	CMS16-3016	
1 Nominal voltage	7.4	12.0	24.0	V
2 Rated torque	1.292	1.253	1.341	mNm
3 Rated speed	8700	8800	10400	rpm
4 Rated current	175	106	67	mA
5 No load speed	9100	9200	10800	rpm
6 No load current	8	5	3	mA
7 Stall torque	28.91	27.26	31.06	mNm
8 Stall current	3.74	2.20	1.48	A
9 Output power	6.9	6.6	8.8	W
10 Max. efficiency	91	91	91	%
11 Terminal resistance	1.98	5.45	16.27	Ω
12 Friction torque	0.06	0.06	0.06	mNm
13 Back-EMF constant	0.812	1.299	2.209	mV/rpm
14 Torque constant	7.76	12.41	21.10	mNm/A
15 Slope of N-T curve	314	338	349	rpm/mNm
16 Mechanical time constant	4.16	4.09	4.12	ms
17 Rotor inertia	1.26	1.16	1.13	gcm ²
18 Max. torque	14.46	13.63	15.53	mNm

Mechanical data

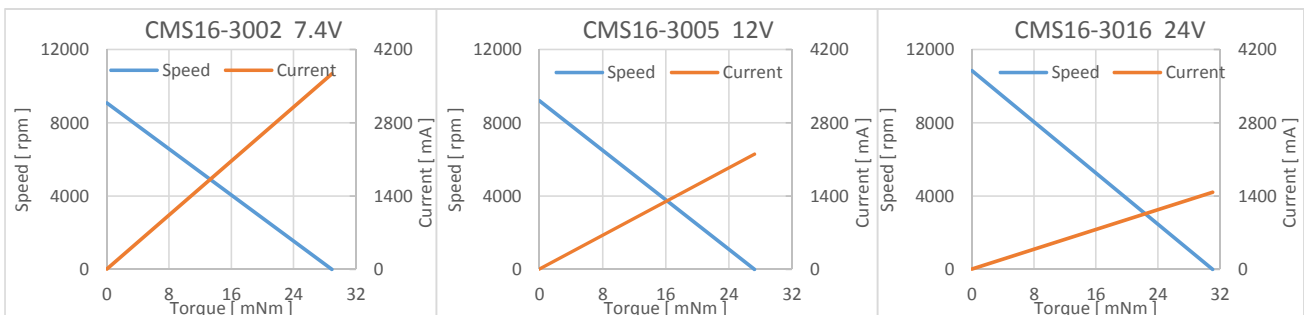
19 Shaft radial play	0.05	mm
20 Shaft axial play	0.03 ~ 0.2	mm
21 Max. shaft radial load	0.03 (5 mm)	N
22 Max. shaft axial load	0.1	N
23 Max. shaft axial load at standstill	4.9	N

Environmental specifications

24 Operating temperature	-20 ~ 60	$^{\circ}\text{C}$
25 Max. coil temperature	80	$^{\circ}\text{C}$

Other specifications

26 Weight	37.7	g
27 Number of segments	5	
28 Bearing type	Sintered sleeve	



V01

Adamant Namiki Precision Jewel Co.,Ltd

TEL: 03-5390-7620 FAX: 03-5390-8082

URL: www.ad-na.com/en/

E-mail: motor-sales@namiki.net

Specifications are subject to change without notice.