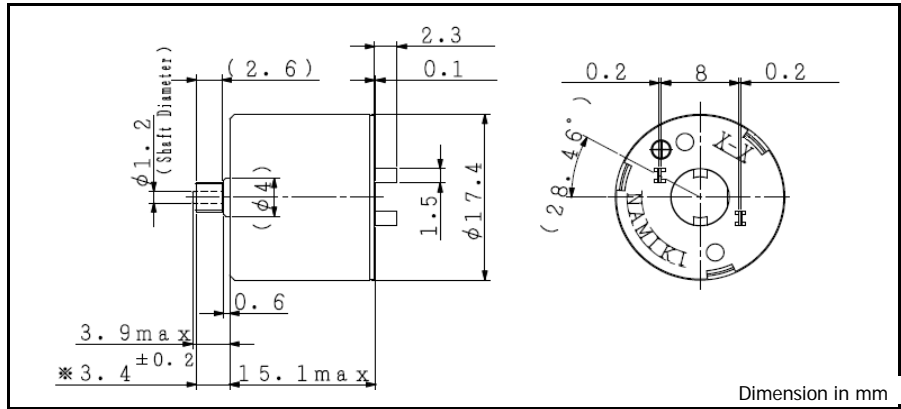


CRS / CRR17-15

Precious metal brush, Sleeve bearings

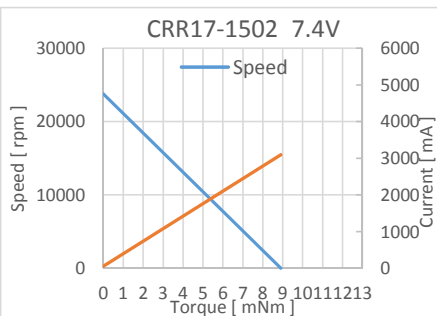
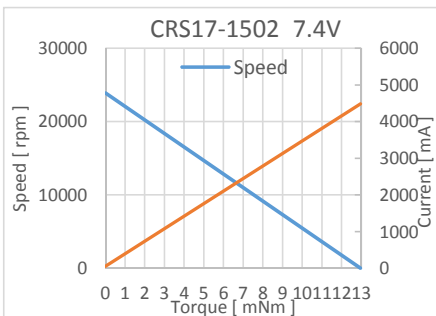


Ordering number	Standard	High response	
	CRS17-1502	CRR17-1502	
1 Nominal voltage	7.4	7.4	V
2 Rated torque	1.24	1.01	mNm
3 Rated speed	21600	21100	rpm
4 Rated current	475	394	mA
5 No load speed	23900	23800	rpm
6 No load current	50	50	mA
7 Stall torque	12.95	8.90	mNm
8 Stall current	4.48	3.09	A
9 Output power	8.1	5.6	W
10 Max. efficiency	80	76	%
11 Terminal resistance	1.7	2.4	Ω
12 Friction torque	0.15	0.15	mNm
13 Back-EMF constant	0.306	0.306	mV/rpm
14 Torque constant	2.92	2.92	mNm/A
15 Slope of N-T curve	1845	2670	rpm/mNm
16 Mechanical time constant	19.8	14.8	ms
17 Rotor inertia	1.02	0.53	gcm ²
Continuous operation			
18 Max. torque	6.48	4.45	mNm

Mechanical data			
19 Shaft axial play	0.03 ~ 0.3	mm	
20 Shaft runout	≦ 0.05	mm	
21 Side pressure	≦ 0.5	N	

Environmental specifications			
22 Operating temperature	-10 ~ 50	°C	
23 Max. coil temperature	80	°C	

Other specifications			
24 Number of segments	5		
25 Bearing type	Sintered sleeve		
26 Weight	17	g	



V01