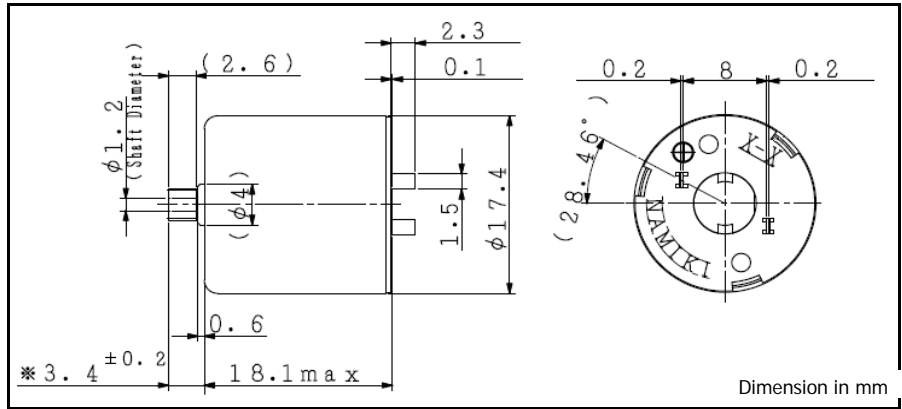




CRS / CRR17-18

Precious metal brush, Sleeve bearings

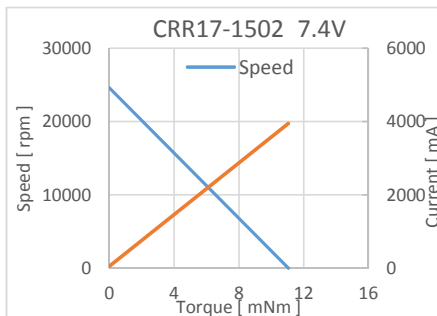
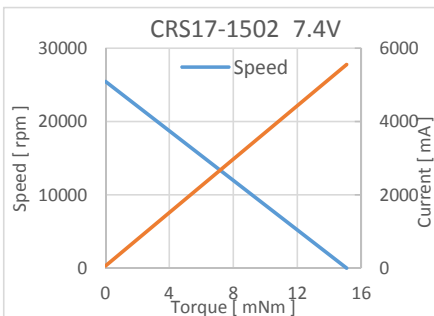


Ordering number	Standard	High response	
	CRS17-1801	CRR17-1802	
1 Nominal voltage	7.4	7.4	V
2 Rated torque	1.42	1.13	mNm
3 Rated speed	23100	22100	rpm
4 Rated current	575	449	mA
5 No load speed	25500	24600	rpm
6 No load current	60	51	mA
7 Stall torque	15.08	11.06	mNm
8 Stall current	5.55	3.95	A
9 Output power	10.1	7.1	W
10 Max. efficiency	80	79	%
11 Terminal resistance	1.3	1.9	W
12 Friction torque	0.16	0.15	mNm
13 Back-EMF constant	0.288	0.297	mV/rpm
14 Torque constant	2.75	2.84	mNm/A
15 Slope of N-T curve	1687	2221	rpm/mNm
16 Mechanical time constant	14.3	11.6	ms
17 Rotor inertia	0.81	0.50	gcm ²
Continuous operation			
18 Max. torque	7.54	5.53	mNm

Mechanical data		
19 Shaft axial play	0.03 ~ 0.3	mm
20 Shaft runout	≦ 0.05	mm
21 Side pressure	≦ 0.5	N

Environmental specifications		
22 Operating temperature	-10 ~ 50	°C
23 Max. coil temperature	80	°C

Other specifications		
24 Number of segments	5	
25 Bearing type	Sintered sleeve	
26 Weight	22	g



V01