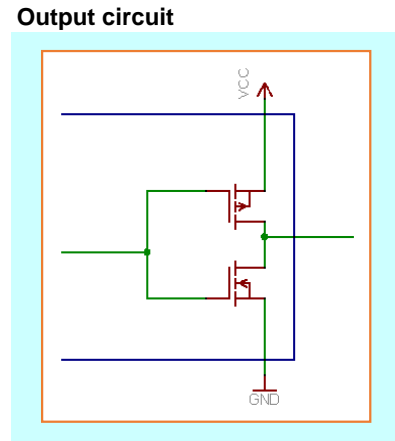
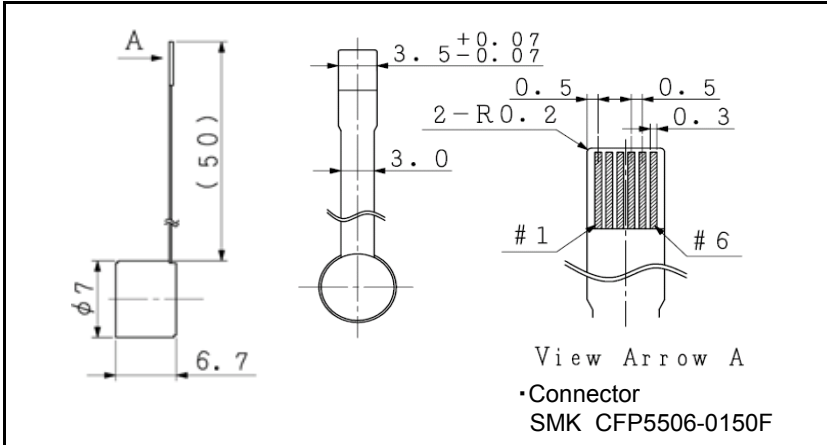


# ETD07-2B

2 Channels optical incremental encoder

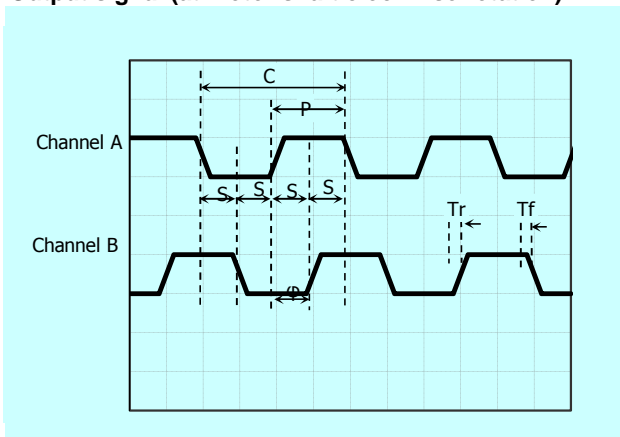
Preliminary Specification



Specification at 25°C

	ETD07-2B	
1 Sensor	Optical	
2 Encoder Type	Incremental	
3 Output Signal	TTL compatible	
4 Number of Channels	2	channel
5 Resolution (Max. speed = 50,000 rpm)	64	pulse/rev
6 Max. Frequency Response	55	kHz
7 Supply Voltage, Vcc	4.5 . . . 5.5	V
8 Supply Current, typical	20	mA
9 Output Voltage "H"	$\geq 2.4$ (Max. Vcc)	V
10 Output Voltage "L"	$\leq 0.4$	V
11 Output current per channel	1.5	mA
12 Rise and fall time ( $R_L = 2.7$ k $\Omega$ and $C_L = 25$ pF), typical	$T_r = 100, T_f = 100$	ns
13 Inertia	TBD	gmm <sup>2</sup>
14 Operating Temperature	-20 . . . +85	°C
15 Storage Temperature	-20 . . . +85	°C

Output signal (at motor shaft clockwise rotation)



Output signal information

Cycle C	360	°e
Pulse P	180	°e
A to B channel phase shift, $\phi$	$90 \pm 45$	°e
Logic state width, S	$90 \pm 45$	°e

\*Maximal error ( $\pm$ °e) indicated above.

Electrical connections

#1	Vcc	DC4.5...5.5V
#2	Ch.B	TTL compatible
#3	Ch.A	TTL compatible
#4	—	NC
#5	GND	
#6	—	NC

V01

Adamant Namiki Precision Jewel Co.,Ltd

Specifications subject to change without notice

TEL: 03-5390-7620 FAX: 03-5390-8082

URL: www.ad-na.com/en/

E-mail: motor-sales@namiki.net