

PRECISION GEARMOTOR

GA14**F

Spur Gearbox Series

Applications: Precision control fields like medical instrument, industrial control and so on.
 Operating temperature range: -10~+80°C

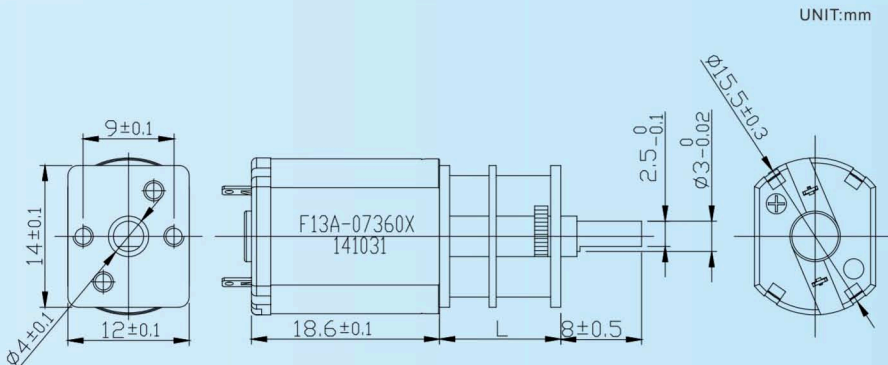
Motor Characteristics

			1620F13A-11135-22.7	1620F13A-08180
1	Voltage	V	3.0	6.0
2	Terminal resistance	Ω	4.3	10.3
3	No-load speed	rpm	8270	11700
4	No-load current	mA	145	51
5	Stall torque	mNm	1.52	2.38
6	Stall current	mA	698	583
7	Nominal torque	mNm	0.70	2.10
8	Nominal speed	rpm	4453	1355
9	Nominal current	mA	400	521
10	Max. output power	W	0.33	0.73
11	Max. efficiency	%	30	50
12	Back-EMF constant	mV/rpm	0.29	0.47
13	Torque constant	mNm/A	2.74	4.47
14	Speed/torque gradient	rpm/mNm	5453	4926
15	Rotor inertia	gcm ²	0.5	0.5
16	Weight	g	11	11

Gearbox Characteristics

	Reduction ratio	Max. rated torque	Max. momentary torque	Length (L)
		mNm	mNm	mm
1	63	60	160	12
2	115, 130, 150, 180	70	200	12
3	210, 250, 260	80	220	12
4	300, 350	100	270	12

Outline Drawing



Other Options

- Lead wires length
- Shaft length
- Special coils
- Encoder