

## PRECISION GEARMOTOR

### GB22\*\*R

#### Planetary Gearbox Series

Applications: Precision control fields like medical instrument, industrial control and so on.  
 Operating temperature range: -10~+80°C

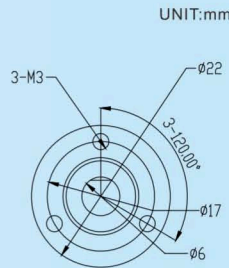
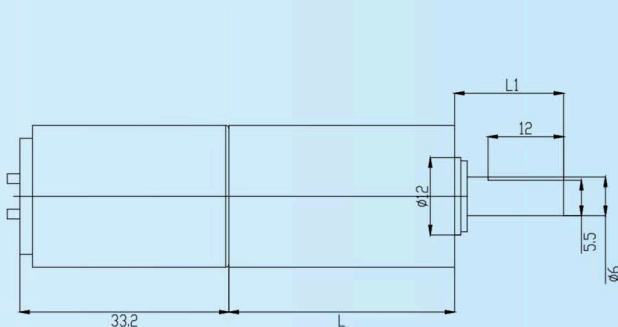
#### Motor Characteristics

			2233RCN52C-38L17P-30-12.0
1	Voltage	V	12.0
2	Terminal resistance	Ω	70.0
3	No-load speed	rpm	2300
4	No-load current	mA	7
5	Stall torque	mNm	7.9
6	Stall current	mA	171
7	Nominal torque	mNm	4.00
8	Nominal speed	rpm	1129
9	Nominal current	mA	91
10	Max. output power	W	0.47
11	Max. efficiency	%	64
12	Back-EMF constant	mV/rpm	5.00
13	Torque constant	mNm/A	47.79
14	Speed/torque gradient	rpm/mNm	293
15	Rotor inertia	gcm <sup>2</sup>	8
16	Weight	g	56

#### Gearbox Characteristics

	Reduction ratio	Max. rated tuorque	Max. momentary torque	Length (L)
		mNm	mNm	mm
1	5	100	300	23.3
2	18, 20, 25	300	900	29.5
3	66, 77, 90, 110, 136	400	1200	35.7
4	246, 336, 393, 484, 597, 735	500	1500	41.9
5	1475, 2124, 3968	600	1800	48.1

#### Outline Drawing



UNIT:mm

#### Other Options

- Lead wires length
- Shaft length
- Special coils
- Encoder