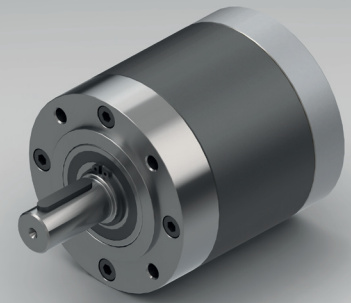


## PLANETARY GEARBOX GPL120



		1-STAGE	2-STAGE	3-STAGE		
Ratio i:1	Max. motor shaft-ØD		Ratio i:1	Max. motor shaft-ØD		
				Ratio i:1	Max. motor shaft-ØD	
			12.25	24	56	19
			14	19	64	19
			16	19	70	19
	20	19	80	19		
3.5	24	24	19	100	19	
4	19	25	14	120	19	
5	14	30	14	144	19	
6	10	36	10	180	14	

**Standard scope of delivery** Gearbox lubricated for duration of service life, dust-proof package, motor pinion, mounting screws, paper gasket and assembly instructions (adapter plate optional).  
**Customized versions also available for small quantities.**

Rated torque continuous	Type Standard	Type R	Nm	25	130	350
Rated torque intermittent	Type Standard	Type R	Nm	50	250	600
Rated torque continuous	Type V	Type S	Nm	50	250	350
Rated torque intermittent	Type V	Type S	Nm	100	350	600
Max. efficiency at rated torque			%	90	85	80
Average backlash at no load	Type Standard	Type V	arcmin ≤	20	35	50
Average backlash at no load	Type R		arcmin ≤	10	20	30
Average backlash at no load	Type S		arcmin ≤	6	12	15
Weight without adapter plate			g	5000	7250	9500
Dimension L			mm	73	103	133
Dimension L1			mm	48	44.5	
Dimension A			mm	21	17.5	
Dimension B			mm	48	44.5	
Max. radial load	F <sub>R</sub>	25 mm from shaft end	N	1500		
Max. axial load	F <sub>A</sub>		N	1200		
Max. continuous rated speed at drive			min <sup>-1</sup>	3000		
Max. intermittent rated speed at drive			min <sup>-1</sup>	5000		
Temperature range			°C	-25 / +90		

Type V = heavy duty version | Type R = reduced backlash version | Type S = low backlash version

Changes reserved © GYSIN AG | 05/2015