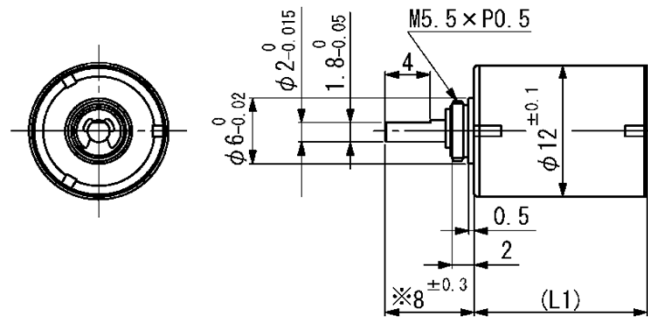


SSG12

Spur gearhead



Dimension in

Note) Dimension marked ※ is measured with shaft pushed against gearhead.

General specifications	SSG12	
1 Housing material	Metal	
2 Geartrain material	Metal	
3 Recommended max. input speed	8000	rpm
4 Operation temperature range	-10...+60	°C
5 Backlash at no-load per stage	≤ 5	°
6 Bearings on output shaft	Sintered sleeve bearings	
7 Max. shaft radial load (7mm from flange)	3	N
8 Max. shaft axial load	1	N
9 Max. shaft press fit force	20	N
10 Shaft radial play	≤ 0.03	mm
11 Shaft axial play	≤ 0.2	mm
12 Max. allowable torque (Continuous)	15(12)	mNm
13 Max. allowable torque (Intermittent)	30	mNm

General specifications	SSG12-	16	25	47	74	94	175	282	
12 Reduction ratio (absolute value)		15.78 : 1	24.70 : 1	47.35 : 1	74.10 : 1	93.86 : 1	175.50 : 1	281.58 : 1	
13 Number of stage		3	3	4	4	4	5	5	
14 Efficiency		73	73	66	66	66	59	59	%
15 Direction of rotation		≠	≠	=	=	=	≠	≠	
16 Gearhead length: L1		14	14	16	16	16	18	18	mm
17 Weight		8.3	8.3	9.2	9.2	9.2	10.2	10.2	g

Combination		Reduction ratio (Motor+gearhead total length)							
Type	Model name	16	25	47	74	94	175	282	
Brushed coreless motor	CMS12-15..S	26	26	28	28	28	30	30	mm
	CMS12-20..S	34	34	36	36	36	38	38	mm
	CMS12-30..S	44	44	46	46	46	48	48	mm
Brushless coreless motor	BMS12-15..S	29	29	31	31	31	33	33	mm
	BMS12-21..S	35	35	37	37	37	39	39	mm
	BMS12-30..S	44	44	46	46	46	48	48	mm

V01

Specifications are subject to change without notice.

V01

Adamant Namiki Precision Jewel Co.,Ltd

TEL: 03-5390-7620 FAX: 03-5390-8082

URL: www.ad-na.com/en/

E-mail: motor-sales@namiki.net

V01

Adamant Namiki Precision Jewel Co.,Ltd

TEL: 03-5390-7620 FAX: 03-5390-8082

URL: www.ad-na.com/en/

E-mail: motor-sales@namiki.net

V01

Adamant Namiki Precision Jewel Co.,Ltd

TEL: 03-5390-7620 FAX: 03-5390-8082

URL: www.ad-na.com/en/

E-mail: motor-sales@namiki.net

V01

Adamant Namiki Precision Jewel Co.,Ltd

TEL: 03-5390-7620 FAX: 03-5390-8082

URL: www.ad-na.com/en/

E-mail: motor-sales@namiki.net

V01

Adamant Namiki Precision Jewel Co.,Ltd

TEL: 03-5390-7620 FAX: 03-5390-8082

URL: www.ad-na.com/en/

E-mail: motor-sales@namiki.net